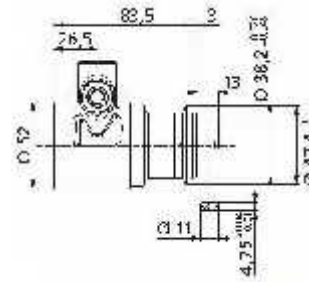
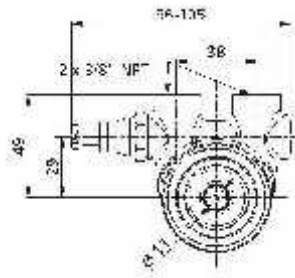
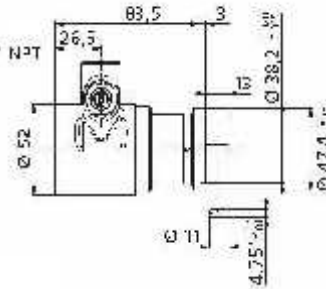
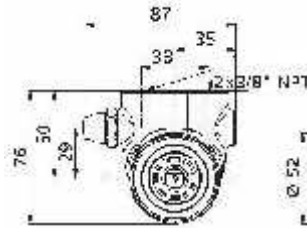


IN-OUT 3/8" ROTARY PUMPS FOR R.O.



BRASS PUMPS

Dimensions are in mm



AISI 303 PUMPS

Dimensions are in mm

- rotary vane pumps for R.O. systems, direct connection V-band clamp to motor;
- housing material brass or AISI 303;
- IN-OUT connections 3/8" NPT – F;
- security by-pass on show models.

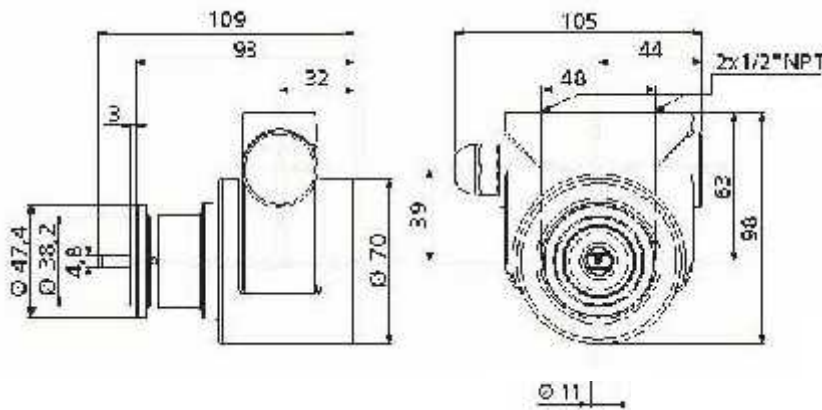
REF.	MODEL	BY-PASS	MATERIAL	FLOW * @ 7 bar (l/h)	FLOW * @ 14 bar (l/h)
DE804	RO 50 OT	w/ By-Pass	Brass	65	55
DE805	RO 150 OT	w/ By-Pass	Brass	165	150
DE806	RO 200 OT	w/ By-Pass	Brass	225	206
DE807	RO 300 OT	w/ By-Pass	Brass	334	315
DE808	RO 400 OT	w/ By-Pass	Brass	434	415
DE827	RO 300 AISI	w/ By-Pass	AISI 303	334	315
DE828	RO 400 AISI	w/ By-Pass	AISI 303	434	415
DE811	RO 200 OT	w/o By-Pass	Brass	225	206
DE812	RO 300 OT	w/o By-Pass	Brass	334	315
DE813	RO 400 OT	w/o By-Pass	Brass	434	415
DE832	RO 300 AISI	w/o By-Pass	AISI 303	334	315
DE833	RO 400 AISI	w/o By-Pass	AISI 303	434	415

(*) = average flow rate with motor 1.450 rpm.

IN-OUT ½” ROTARY PUMPS FOR R.O.



- rotary vane pumps for R.O. systems, direct connection V-band clamp to motor;
- housing material brass or AISI 303;
- IN-OUT connections ½” NPT – F.

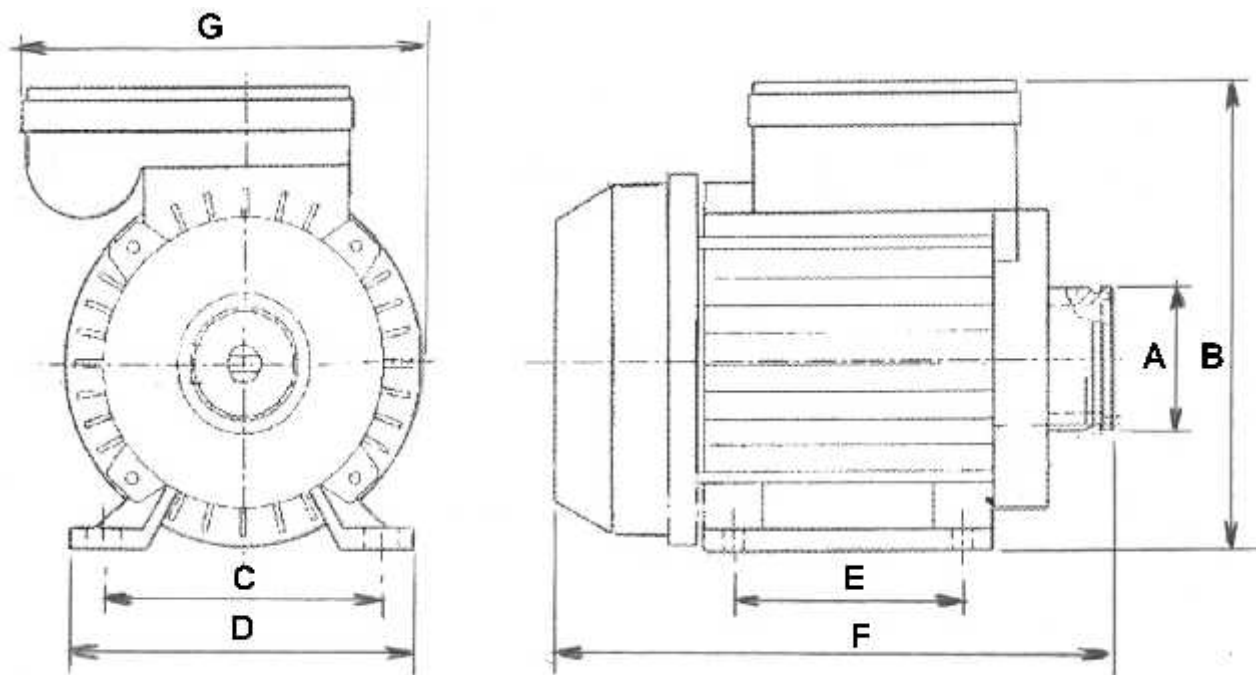


Dimensions are in mm

REF.	MODEL	BY-PASS	MATERIAL	FLOW * @ 7 bar (l/h)	FLOW * @ 14 bar (l/h)
DE809	RO 600 OT	w/ By-Pass	Brass	620	597
DE810	RO 800 OT	w/ By-Pass	Brass	820	797
DE814	RO 1000 OT	w/ By-Pass	Brass	1020	997
DE817	RO 600 OT	w/o By-Pass	Brass	620	597
DE818	RO 800 OT	w/o By-Pass	Brass	820	797
DE819	RO 1000 OT	w/o By-Pass	Brass	1020	997
DE837	RO 600 AISI	w/o By-Pass	AISI 303	620	597
DE838	RO 800 AISI	w/o By-Pass	AISI 303	820	797
DE839	RO 1000 AISI	w/o By-Pass	AISI 303	1020	997

(*) = average flow rate with motor 1.450 rpm.

MOTORS FOR ROTARY PUMPS FOR R.O. 200-300

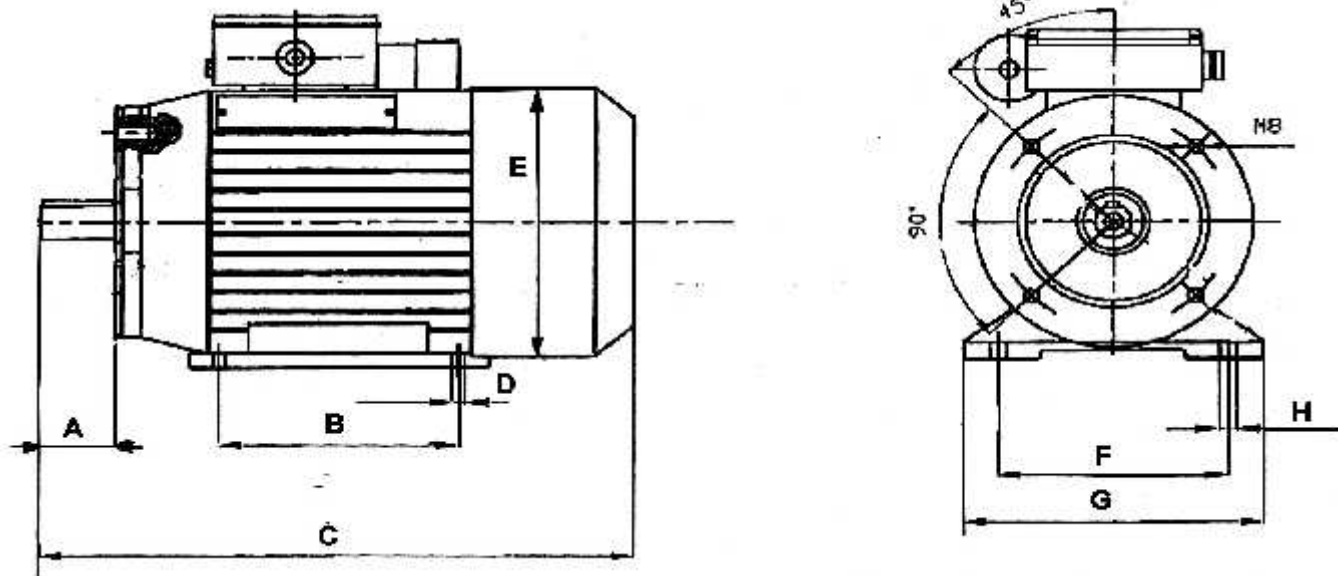


REF.	A (mm)	B (mm)	C (mm)	D (mm)	E (mm)	F (mm)	G (mm)
DE850	47	156	97	120	80	200	138

- single phase motors direct connections for rotary vane pumps;
- power supply 220V – 50 Hz;
- complete with thermic protection.

REF.	POWER (W)	ELECTR. INPUT (A)	RPM	FOR PUMPS
DE850	300	1,6	1.300	RO 200 RO 300

MOTORS FOR ROTARY PUMPS FOR R.O. 300-400-600-800-1000



MODEL	A (mm)	B (mm)	C (mm)	D (mm)	E (mm)	F (mm)	G (mm)	H (mm)
0,5 CV	30	90	222	7	141	112	142	10
0,75 CV	40	100	255	10	157	125	160	13
1 CV	40	100	255	10	157	125	160	13

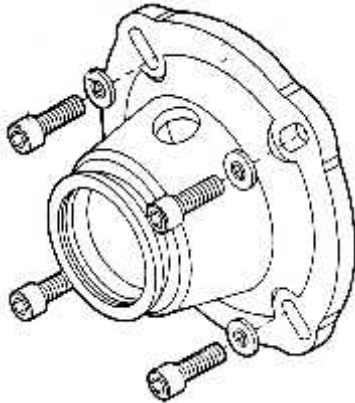
- range of single and three phase motors for application with rotary vane pumps, using coupling and adapter;
- 4 poles motor, power supply 220V – 50 Hz single phase, 380V – 50 Hz three phase;
- for couplings and adapters see 05-04-08-EN data sheet.

REF.	MODEL	POWER (CV)	POWER (W)	ELECTR. INPUT (A)	RPM	SINGLE PHASE / THREE PHASE	FOR PUMP	ADAPTER REF.	COUPLING REF.
DE860	0,5 CV-M71-MONO	0,5	370	3,1	1360	SINGLE PHASE	RO 300 RO 400	DE871	DE872
DE861	0,75 CV-M80-MONO	0,75	550	4,4	1360	SINGLE PHASE	RO 600 RO 800	DE873	DE874
DE862	1 CV-M80-MONO	1	750	5,4	1370	SINGLE PHASE	RO 1000	DE873	DE874
DE863	0,5 CV-M71-TRI	0,5	370	1,1	1360	THREE PHASE	RO 300 RO 400	DE871	DE872
DE864	0,75 CV-M80-TRI	0,75	550	1,5	1360	THREE PHASE	RO 600 RO 800	DE873	DE874
DE865	1 CV-M80-TRI	1	750	2,0	1360	THREE PHASE	RO 1000	DE873	DE874

NOTE: It's absolutely necessary to provide an adequate electric protection to avoid further overloaded.

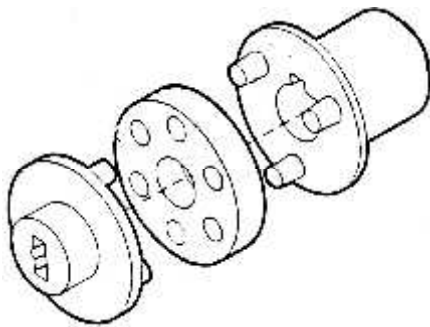
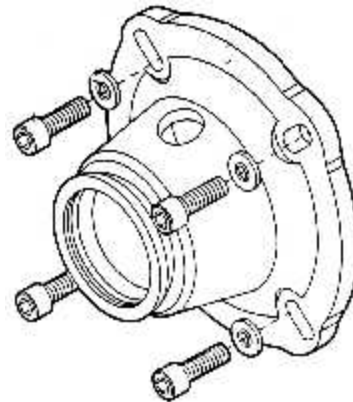
ADAPTER COUPLINGS AND ADAPTERS FOR ROTARY PUMPS MODELS R.O. 300-400-600-800-1000

- for relative motors coupling see 05-04-07-EN data sheet.



REF.	DESCRIPTION
DE871	Adapter M71

REF.	DESCRIPTION
DE873	Adapter M80



REF.	DESCRIPTION
DE872	Coupling M71

REF.	DESCRIPTION
DE874	Coupling M80

